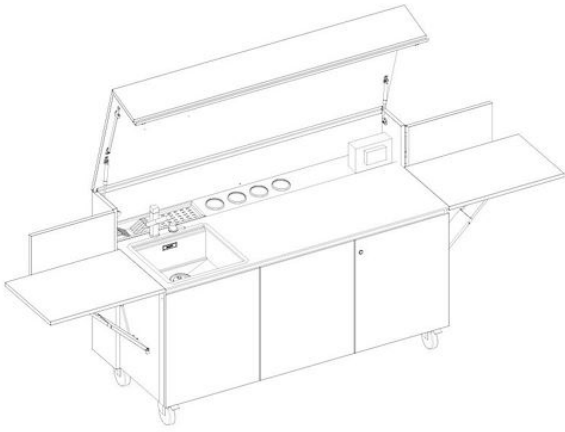


Finalmente bed and breakfast cooking station

Freestanding

Code: 7555 003



DETAILS

Material Stainless steel AISI 316

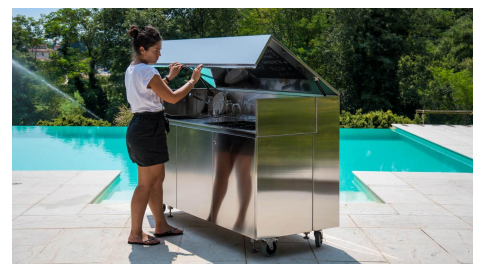
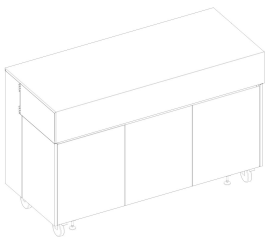
Texture Brushed in line

Dimensions (open) 327 x 78 x (h)178 cm

Dimensions (closed) 185 x 78 x (h)115 cm

Weight 285 kg

GALLERY



OPTIONAL ACCESSORIES



Black grid
8100 600



Bread and pizza kit
8000 204



Glass chopping board
8631 300



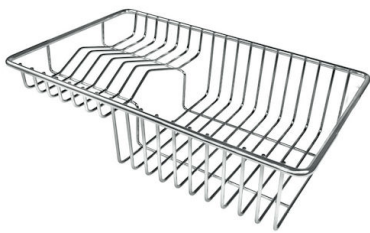
HPDE Twin chopping board
8644 101



Induction PRO - Grill pan
8212 000



Induction Pro - Wok pan with flat bottom PRO
8211 000



Stainless steel plate rack
8100 303
* only in combination with the accessory
8644 101



Walnut-wood chopping board
8642 000